

## THE POSITRON TELECOM ADVANTAGE

The solutions from Positron Telecommunication Systems are unique in their approach to telephony communications. This document describes some of the fundamental differences between our solutions and others in the market place.

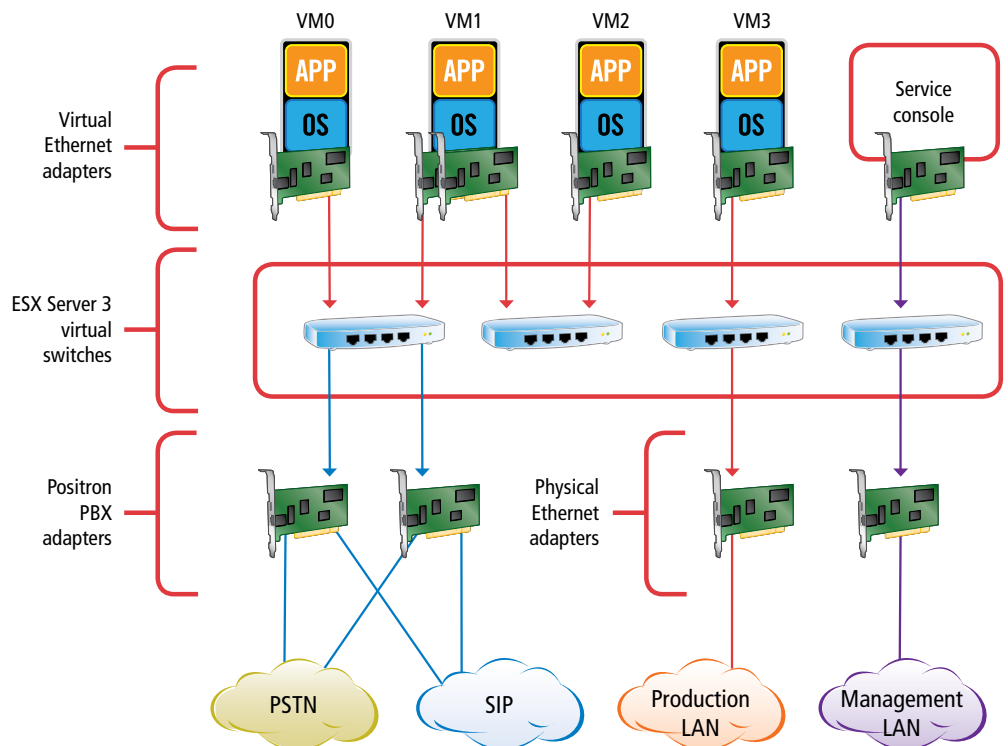
### VMware

VMWARE helps enterprises reduce capital and operating expenses. It ensures business continuity, strengthens security and energy efficiency through the use of their software, which allows virtualization of Operating systems and applications. This concept is dependant on Ethernet connectivity availability, resulting in most applications being TCP/IP based. Some challenges present themselves to Telephony and VoIP communications in that running SIP applications within a VMWARE session requires the ability to process and terminate the RTP sessions. Solutions that attempt to use external Media Gateways exist but they are largely unsuccessful due to many issues created by the configuration and network topology. These issues include:

- RTP – streaming of RTP across multiple Ethernet devices to external gateways can and will cause performance issues that affects voice quality
- Time – many voice applications are sensitive to clock drift
- Latency – caused by the packets having to cross multiple interfaces which will cause performance issues that affects voice quality
- Firewalls – may cause latency and configuration issues
- Drivers - some applications do have interfaces that can presumably work within a VMware session but are not supported for that environment

### V-Series

The V-Series from Positron resolves these issues with PCI cards that connect to the PC via Ethernet and integrate a full function Media Gateway / PBX on the card itself, the first and only internal adapter that provides this functionality.



# Benefits

## High Voice Quality

- Integrated hardware echo canceller to enhance voice quality
- Trans-coding can be done on the card (Speex, G.711, G.729)
  - Saves system resources
- Terminates the RTP on the card and provides PSTN Gateway functionality

## Scalable

- Multiple boards can be placed in the same system
  - Higher density
  - Greater interface diversity
- Board to board communication occurs across Ethernet using SIP
  - No special drivers or limitations
- Any combination of interface boards can be placed in the same system
- Multiple interface types (FXO, ISDN, E1/T1, FXS)

## Flexible Design

- Multiple interface types (FXO, ISDN, E1/T1, FXS)
- Provides PSTN and VoIP Trunking (SIP / IAX) on the card
- Integrated FXS and Ethernet
- Integrated Compact Flash media support

## Go Green

- Low power consumption
- Small form factor = less waste
- RoHS compliant = no lead

## Advanced Features

- Call Recording
  - Call logging
  - T.38 Fax pass through
  - Voicemail to Email
  - Automatic PSTN and VoIP failover
  - Least cost routing
  - Standards based
- 
- Supports T.38 Fax pass through on all systems

